



WATT	25W
CCT	3000K, 4000K, 5000K
DIMMABLE	0 -10V
CRI	Ra>80
LUMINOUS EFFICACY (Lm/W)	130 Lm/W
INPUT VOLTAGE	120-277V 50/60Hz
POWER FACTOR	(PF)>0.9
IP RATING	Ip65
LIFE SPAN	50,000+ Hrs



LED MINI-WALL PACK

TK-MWP2™ SERIES

DESCRIPTION

schaezer[®] presents the MINI LED Wall Pack, a compact and efficient lighting solution designed to provide reliable illumination in various outdoor and wet location applications. This versatile LED wallpack is engineered to deliver high performance and durability, making it an ideal choice for both residential and commercial settings.

The MINI LED Wall Pack features advanced technical specifications, including 1-10V dimming for adjustable brightness and a UV-stabilized PC lens that resists corrosion and environmental conditions. This wallpack LED offers 3CCT selectable color temperatures (3000K, 4000K, 5000K) and is wattage switchable, providing flexibility to meet specific lighting needs. Operating on an input voltage of 120-277V at 50/60Hz, it achieves a luminous efficacy of 130 Lm/W and maintains a high color rendering index (CRI) of Ra>80. The fixture is designed with a power factor (PF) greater than 0.9 and has a lifespan of over 50,000 hours, ensuring long-lasting performance.

Ideal for a range of applications, the MINI LED Wall Pack is perfect for entryways, walkways, restrooms, storage units, stairwells, parking lots, and patios. Its robust design and efficient performance make it suitable for outdoor and wet locations, providing consistent and reliable lighting.

Backed by a 5-year limited warranty, the MINI LED Wall Pack complies with IP65 rating standards, UL and FCC certifications, ensuring safety, reliability, and quality. This compact wallpack LED guarantees long-term performance and peace of mind for various lighting applications.



MINI LED WALL PACK

TK-MWP2 SERIES

Applications

Ideal for outdoor & wet location applications: Entry ways, walkways, restrooms, storage units, stairwell, parking lots, & patios.

Quick Ship:

TK-MWP2-25W-3C S-S

Controls / Dimming

1-10V Dimming. UV-stabilized PC lens resist corrosion and environmental conditions 3CCT Select able, Wattage Switchable.

Warranty

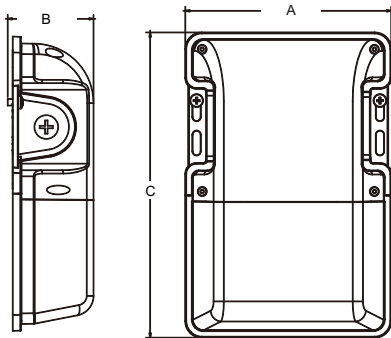
5 Years Limited Warranty

Ordering Information

Example: TK-MWP2-25W-3CS-S

TK	MWP2	25WT	CS	S	Optional
<input type="text"/>	<input type="text"/>	<input type="text"/>	<input type="text"/>	<input type="text"/>	<input type="text"/>
Code	Series	Watts (Wattage Tunable)	Color Temp	Dimmable	[BLANK]
TK	MWP2- Mini Wall Pack	25WT- 15W/20W/25W 15W - 15W 20W - 20W 25W - 25W <i>(single wattage optional)</i>	30K - 3500K 3CS - 40K - 4000K 50K - 5000K } 3CCT Tunable 3000K - 5000K <i>(single color temperature optional)</i>	S - Photosensor [Blank] No Sensor Voltage [Blank] - 120-277V, 50/60Hz	D - Dimming Finishes Bronze

Dimensions



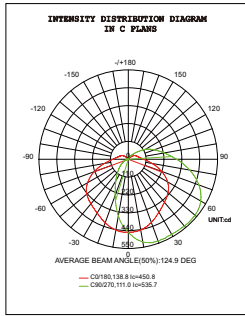
Part Number	A (Length)	B (Width)	C (Height)
TK-MWP2-25W	5.93 Inches	2.56 Inches	8.78 Inches

MINI LED WALL PACK

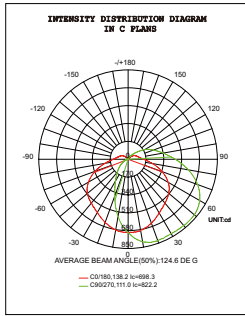
TK-MWP2 SERIES

Photometric

Milky Shade

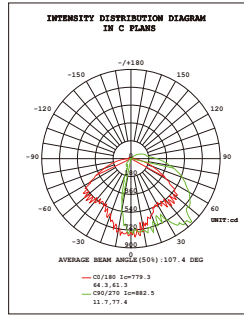


15W

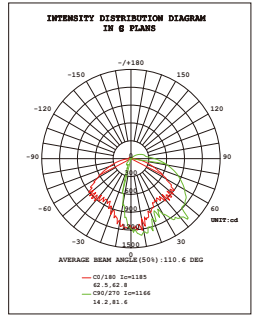


25W

Clear Shade



15W



25W

DIP Switch



CCT, Wattage
& Photocell
Selectable Modular

Wattage Select



Photocell



CCT Select



Photocell Switch



Wattage Select
Switch

Color Temp
Select Switch